

PanelMate® Inserts

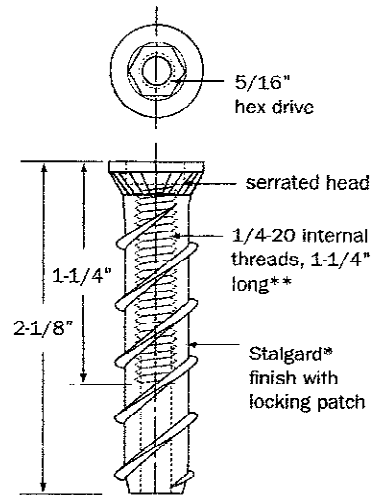
The fast and economical way to anchor in concrete or wood

This new product from Elco Construction Products is a quick and easy way to provide a 1/4-20 internally-threaded anchoring base in concrete or wood. Originally designed for installing hurricane panels, these versatile anchors can be used wherever 1/4-20 threaded hardware needs to be attached to concrete or wood. The PanelMate® insert is designed to be permanently installed, allowing one time or multiple insertions of 1/4-20 threaded components.

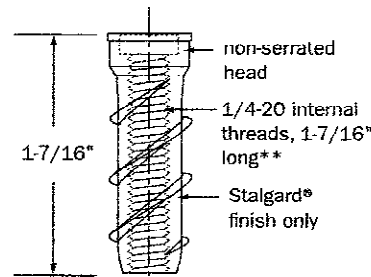
Features & Benefits

- Simple installation: in concrete, use a standard 7/16" ANSI masonry bit*. In wood use a standard 7/16" (.437") wood or steel bit. Drill the hole and install the anchor. No special countersinking tool is required.
- Special external threads provide holding power in drilled hole. Anchors do not require bearing on bottom of hole, so they will work in block even if the drilled hole enters the block cavity.
- Two lengths:
 - 2-1/8" for applications with a stucco exterior
 - 1-7/16" for applications without a stucco exterior
- 1/4-20 internal threads allow use of multiple lengths of fasteners: 1-7/8" insert is fully threaded; 2-1/8" insert has 1-1/4" long internal threads.
- 5/16" internal hex drive provides strong, positive driver-bit engagement to ease installation. PanelMate® hex tools available (see other side).
- Countersinking head styles seat flush in stucco and similar materials and prevent gaps and voids around head
- Silver Stalgard® corrosion-resistant finish withstands 800 – 1,000 hours in salt spray testing per ASTM B117 standards
- Nylon locking patch on 2-1/8" insert resists back-out

*(actual diameter .458" / .468")



PanelMate L insert



PanelMate S insert

**accept multiple lengths of 1/4-20 fasteners

Specifications

	Catalog No.	Model	Insert Length	Dia.	Material	Finish
	ENX305	PanelMate® L Insert	2-1/8"	1/2"	carbon steel	Silver Stalgard® with nylon locking patch
	ENX310	PanelMate® S insert	1-7/16"			Silver Stalgard® only

Important Notice Regarding the Use of Washers with This Product

A common application for these parts is to attach hurricane panels to structures, using a stainless steel "Sidewalk Bolt" (SWB) to hold the panels in place. When panels are not in use, the SWB's are often left in the anchors for aesthetic reasons and to prevent loss. If this is done, the washers packaged with these anchors must be placed on each SWB. If they are not used, subsequent exposure to moisture, over a period of time, can cause corrosion. This may result in the inability to remove the SWB without also removing the anchor. The washers significantly reduce the normal back-out torque of the SWB and keep moisture (and corrosion) out of the anchor cavity.

PanelMate® Anchoring System